

780nm 3 Port Polarization Maintaining Optical Circulator

Features

- Low Insertion Loss
- High Extinction Ratio and High Isolation
- High Stability and Reliability

Applications

- EDFA
- Fiber Optical Instrument
- Fiber Sensor

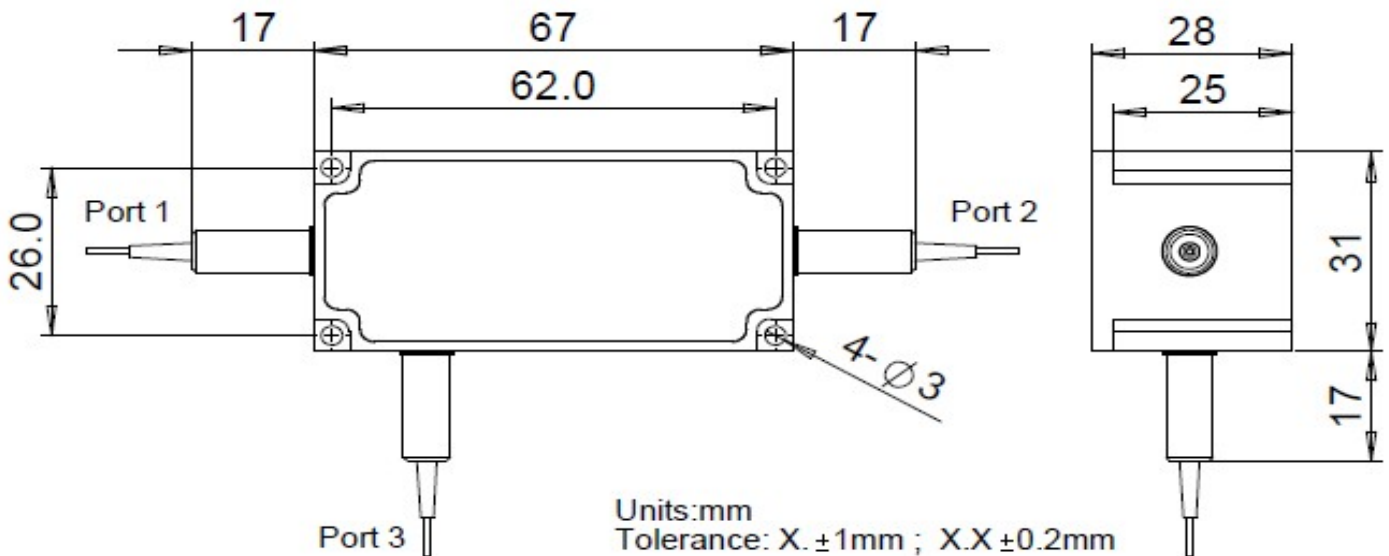
Specifications

Parameters	Unit	Values
Center Wavelength	nm	780
Bandwidth	nm	±10
Typ. Insertion Loss, 23°C	dB	1.5
Insertion Loss, 23°C	dB	≤1.8
Isolation, 23°C	dB	≥20
Extinction Ratio	dB	≥18
Crosstalk	dB	≥45
Return Loss	dB	≥45
Fiber Type	--	PM 850
Power Handling CW	mW	≤300
Operating Temperature	°C	0 ~ +50
Storage Temperature	°C	-10 ~ +65

*For devices with connectors, IL+0.3dB, RL-5dB, ER-2dB.

*The default connector key is aligned to slow axis and fast axis blocked.

Package Dimensions



Ordering Information

PM CIR- ①①①-②-③③③-④④④-⑤⑤

①	Wavelength	780;
②	Axis Alignment	F=Fast Axis Blocked
③	Pigtail Type	250=250um Fiber; 900=900um Loose Tube; 3mm=3mm Loose Tube
④	Fiber Length	0.8= 0.8m;
⑤	Connector	NE=None; FA=FC/APC; FC=FC/UPC; SA=SC/APC; SC=SC/UPC; LC=LC/UPC; XX=Others;