


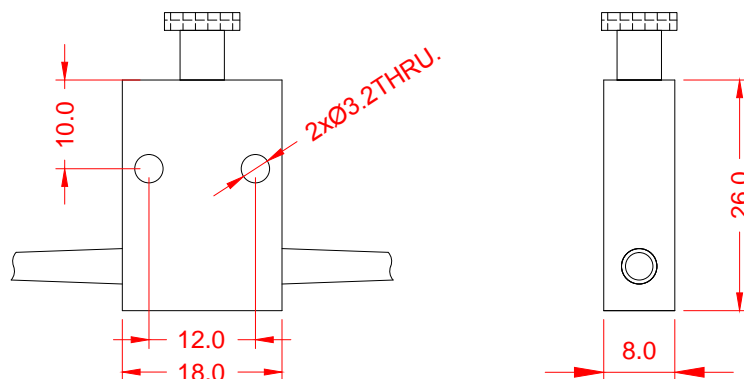
## PM fiber Variable Optical Attenuator

<b>Features</b>	
High precision & Wide attenuation range Low Insertion Loss & High PER High stability and reliability	
<b>Application</b>	
Optical communication systems test Fiber component test Fiber Sensor	

### Specification:

Parameter	Value	
Wavelength (nm)	1310,1550 or 1310/1550	1064
Bandwidth(nm)	±40	±20
Attenuation range (dB)	0.6 ~40	0.6 ~40
Original loss (dB)	≤0.6	≤0.6
Extinction ratio (dB)	>20	>20
Return loss (dB)	≥ 50	≥ 50
Adjustment Precision (dB)	0.02	0.02
Fiber type	PM 1310, PM1550	PM 980
Dimensions (mm)	26×18×8	
Operating temperature (°C)	-5 ~ +70	
Storage temperature (°C)	-40 ~ +85	

### Package Dimensions



### Ordering Information

PMVOA	Wavelength	Adjustment Type	Pigtail Type	Fiber Type	Length	Connector
	1310=1310 1550=1550 1315=1310/1550 1064=1064	1= Hand adjustment 2= Screw adjustment	900=900um loose tube 2000=2mm loose tube 3000=3mm loose tube	5=Panda fiber	0.8= 0.8m	NE=None FA=FC/APC FC=FC/UPC SA=SC/APC SC=SC/UPC XX=Other