

# 1020~1120T/980R PM WDM/Partial Mirror Hybrid for Pulse Power

## Features

- Low Insertion Loss
- High Extinction Ratio
- High Stability and Reliability

## Applications

- Fiber Laser
- Fiber Amplifier
- Testing Equipment

## Specifications

Parameters		Unit	Standard Extinction Ratio	High Extinction Ratio
Pass Wavelength Range (Signal)		nm	1020±5, 1030±10, 1040±10, 1053±10 1064±10, 1080±10, 1092±5, 1120±5	
Reflect Wavelength Range (Pump)		nm	980±10	
Excess Loss @ Pass		dB	≤1.4	≤1.6
Insertion Loss @ Reflect		dB	≤0.8	
Signal Reflective Ratio (Common<->Pass)		%	1±0.6, 2±0.8, 5±1, 10, 20, 30, 40, 50, 60, 70, 80, 90	
Pass Isolation		dB	≥25	
Reflect Isolation		dB	≥12	
Extinction Ratio		dB	≥18	≥20
Return Loss		dB	≥45	
Pump Type	Forward Pump	-	Pump & Signal at Same Direction	
	Backward Pump	-	Pump & Signal at Reverse Direction	
	Dual Pump (Forward+Backward)	-	Forward Pump+Backward Pump	
Fiber Type	Common & Signal Ports (C & S)	-	PM980 Panda Fiber or 10/125um PM SC Fiber	
		-	10/125um PM DC Fiber or 15/130um PM DC Fiber	
		-	20/130um PM DC Fiber or 25/250um PM DC Fiber	
	Pump Port	-	Same Fiber As Above or Corresponding SM Fiber	
Maximum Average Optical Power		W	0.3, 0.5, 1, 2, 3, 5, 10, 15, 20	
Max. Peak Power for Pulse		kW	0.1, 1, 2, 3, 5, 10, 15, 20	
Operating Temperature		°C	0 ~ +65	
Storage Temperature		°C	-40 ~ +85	
Dimensions	Steel Tube	mm	φ5.5x35 (≤5W)	
	Metal Box		(L)80x(W)12x(H)10 (≤10W); (L)120x(W)15x(H)10 (>10W)	

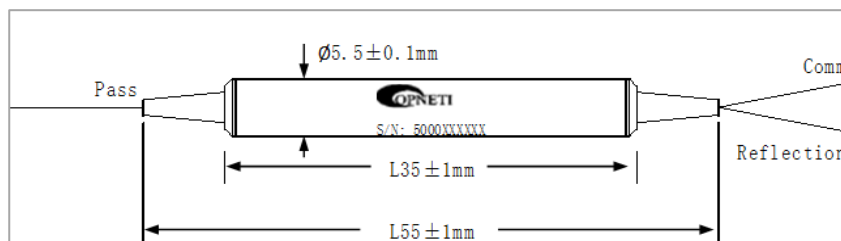
\*For devices with connectors, IL+0.3dB, RL-5dB, ER-2dB. Connector key is aligned to slow axis.

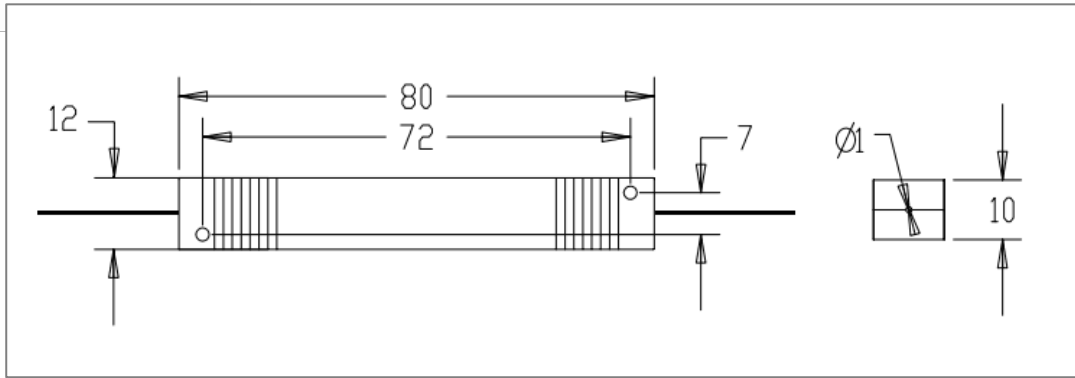
\*Only guarantee 1W continuous wave (CW) power thru testing for connectors added.

\*Devices for higher optical power or with other type fiber or consigned fiber are also available.

\*Devices can only work in the core of Double Cladding (DC) Fiber, Cladding Power must be stripped before connecting the device.

\*High ER type can only work in slow axis at pass port.





**Ordering Information**

PMFWDM- ①①①-②②②②②②②②②③-④-⑤⑤-⑥⑥⑥⑦-⑧-⑨⑨⑨⑩⑩-⑪⑪⑪⑪⑪⑫⑫⑫⑫⑫⑬⑬⑬⑬⑬⑬

①	Port Type	1x2; 2x2;
②	Wavelength	1020T/980R; 1030T/980R; 1040T/980R; 1064T/980R; 1080T/980R; 1092T/980R; 1120T/980R;
③	Pump Type	F=Forward Pump; B=Backward Pump; D=Dual Pump;
④	ER Type	1=Standard ER; 2=High ER;
⑤	Coupling Ratio	1%; 5%; 10%; 50%;
⑥	Pigtail Type	250=250um Fiber; 900=900um Loose Tube;
⑦	Fiber Type @ C & S	5=PM 980; X=As Above Specification Mentioned;
⑧	Fiber Type @ Pump	1=SMF; S=Same Fiber Type As Signal & Common;
⑨	Length	0.8=0.8m;
⑩	Connector	NE=None; FA=FC/APC; FC=FC/UPC; SA=SC/APC; SC=SC/UPC; LC=LC/UPC; XX=Others;
⑪	Average Power	0.3W; 0.5W; 1W; 2W; 3W; 5W; 10W; 15W; 20W;
⑫	Peak Power	0.1kW; 1kW; 2kW; 3kW; 5kW; 10kW; 15kW; 20kW;
⑬	Package	5.5x35; 90x12x10; 120x15x10;