

# High Power In Line Input-Free Space Output Isolator-2000nm

## Features

- High Isolation & Handling Power & Extinction Ratio
- Low IL & PDL
- Excellent Environmental Stability and Reliability

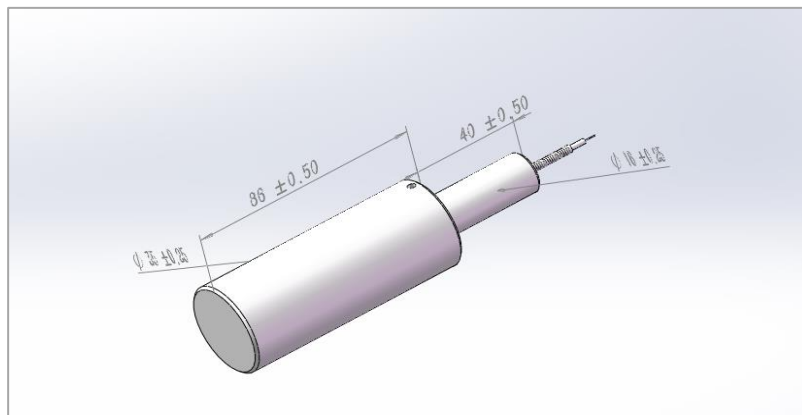
## Applications

Fiber Laser

## Specifications

Parameters	Unit	Non-PM Fiber (HPFIS)	PM Fiber (HPMFIS)
Center Wavelength	nm	1940, 1950, 2000, 2050	
Operating Bandwidth	nm	±30	
Insertion Loss	dB	≤0.5	
Isolation at 25°C (λc)	dB	≥35	
PDL	dB	≤0.15	---
Extinction Ratio	dB	---	≥20
Fiber Type	---	SMF-28e, SM1950, SM2000	PM1550, PM1950
Return Loss	dB	≥50	
Nominal Output Beam Diameter	mm	~5	
Power Handling	Average Optical Power	W	
	Peak Power for ns Pulse	kW	
Operating Temperature	°C	10 ~ +60	
Storage Temperature	°C	-40 ~ +85	

## Package Dimensions



## Ordering Information

HPFIS-  
HPMFIS ①①①①-②②②-③-④-⑤⑤

①	Wavelength	1940; 1950; 2000; 2050;
②	Pigtail Type	250=250um Fiber; 900=900um Loose Tube; 3A=3mm Armoured;
③	Fiber Type	1=SMF-28e; S9=SM1950; S2=SM2000; 5=PM1550; P9=PM1950;
④	Fiber Length	1=1m;
⑤	Power Handling	5W; 10W, 20W; 50W;