

## Polarization Maintaining Optical Fiber Mirror-2μm

### Features

- Low Insertion Loss
- Compact Size
- Environmental Stability

### Applications

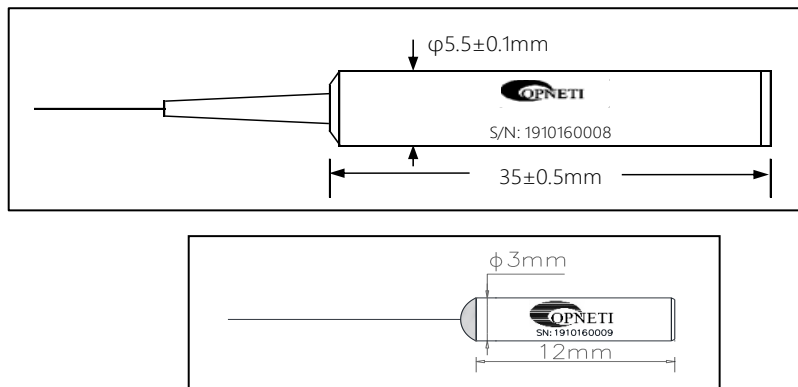
- Fiber Instruments
- Fiber Sensor

### Specifications

Parameters	Unit	Values
Operating Wavelength	nm	1870; 1950; 2000; 2050; 2100;
Operating Bandwidth	nm	±20
Insertion Loss	dB	≤0.8 (Typ. 0.5)
ER	dB	≥20
Power Handling	mW	≤300
Fiber Type		PM1550, PM1950
Operating Temperature	°C	-5 ~ +70
Storage Temperature	°C	-40 ~ +85
Dimensions*	mm	φ5.5×35; φ3×12

\* Smaller package available upon request.

### Package Dimensions



### Ordering Information

PMOFM ①①①①-②②②-③③③③③③-④-⑤⑤-⑥⑥⑥⑥⑥⑥

①	Wavelength	1870; 1950; 2000; 2050; 2100;
②	Pigtail Type	250=250um Fiber; 900=900um Loose Tube;
③	Fiber Type	PM1550; PM1950;
④	Length	1=1m;
⑤	Connector	NE=None; FA=FC/APC; FC=FC/UPC; SA=SC/APC; SC=SC/UPC; XX=Other;
⑥	Package Size	5.5x35; 3x12;