

High Power 3 Port Polarization Maintaining Optical Circulator-2µm

Features

- Low Insertion Loss
- High Extinction Ratio & High Isolation
- High Stability and Reliability

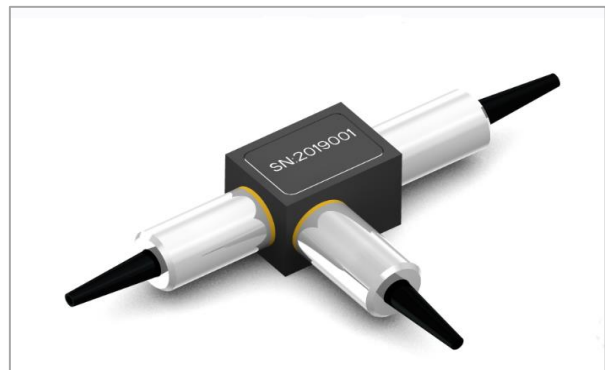
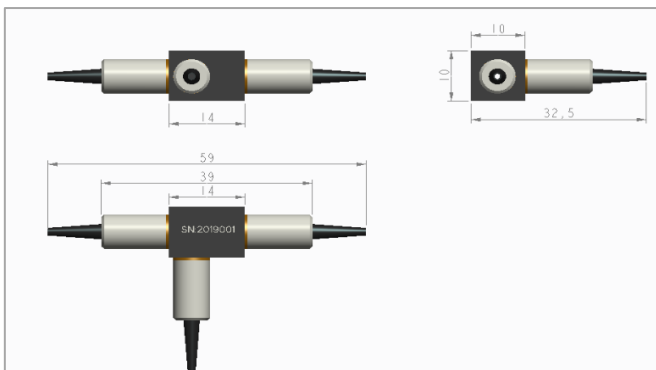
Applications

- Fiber Laser
- Instrument Fiber Equipment

Specifications

Parameters	Unit	Values
Center Wavelength	nm	1950, 2000, 2050, 2100
Insertion Loss, 23°C, λc±30nm	dB	≤1.5
Isolation, 23°C, λc±30nm	dB	≥16
Extinction Ratio	dB	≥18
Crosstalk	dB	≥40
Return Loss	dB	≥50
Fiber Type	--	PM1550 Fiber, PM 1950 Fiber, PM-GDF-10/130-2000-M
Axis Alignment	--	Fast Axis Blocked, Slow Axis Pass
Average Optical Power	W	1, 2, 5, 10
Peak Power for ns Pulse	KW	10
Operating Temperature	°C	-5 ~ +70
Storage Temperature	°C	-40 ~ +85
Package	mm	10x32.5x59

Package Dimensions



Ordering Information

PM CIR ①-②-③③③③-④④④-⑤-⑥⑥⑥-⑦⑦-⑧⑧⑧⑧⑧⑧⑧⑧⑧⑧-⑨⑨

①	Port	3=3 Port;
②	Type	F=Fast Axis Blocked;
③	Wavelength	1950; 2000; 2050; 2100;
④	Pigtail Type	250=250um Fiber;
⑤	Fiber Type	5=PM1550; P9=PM1950; P10=PM-GDF-10/130-2000-M
⑥	Length	0.8=0.8m;
⑦	Connector	NE=None; FA=FC/APC; FC=FC/UPC; SA=SC/APC; SC=SC/UPC; XX=Other;
⑧	Package Size	10x32.5x59;
⑨	Power Handling	1W; 2W; 5W; 10W;